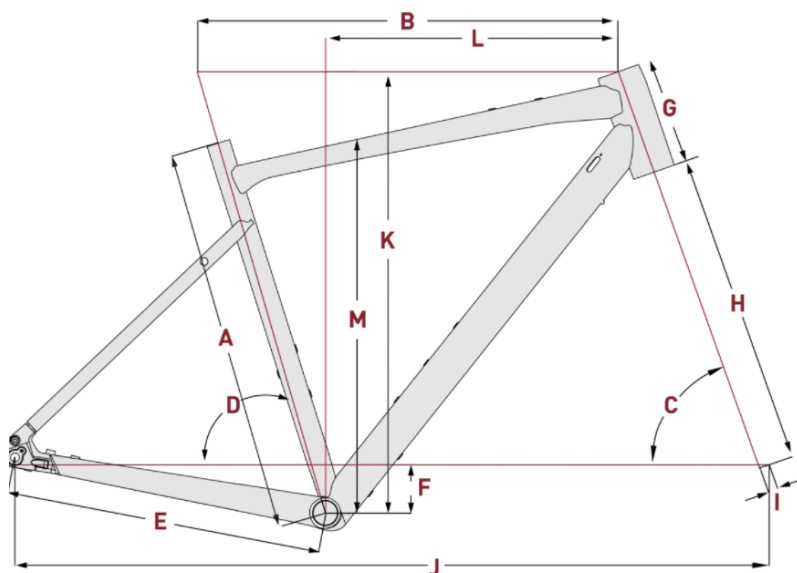


ATLAS 6.7 EQP



GEOMETRY

	XS	S	M	L	XL
SIZE	48	51	54	57	60
SIZE (MM)	450	490	520	550	577
HANDLEBAR WIDTH	420	420	440	440	440
STEM LENGTH (MM)	70	70	80	90	90
CRANKARM LENGTH	170	170	172,5	172,5	175
A SEAT TUBE LENGTH (MM)	350	350	350	350	350
B EFFECTIVE TOP TUBE (MM)	532	552	571	592	610
C HEAD TUBE ANGLE (°)	70,5	70,5	70,5	70,5	70,5
D EFFECTIVE SEAT TUBE ANGLE (°)	74	73,5	73,5	73,5	73,5
E CHAINSTAY LENGTH (MM)	425	425	425	425	425
F BOTTOM BRACKET DROP (MM)	75	75	75	75	75
G HEAD TUBE LENGTH (MM)	114	129	144	164	194
H FORK CONSTRUCTION HEIGHT (MM)	425	425	425	425	425
I PRE-RAKED FORK (MM)	50	50	50	50	50
J WHEELBASE LENGTH (MM)	1015	1030	1051	1072	1092
K STACK (MM)	568	582	596	615	643
L REACH (MM)	370	380	395	410	420